

## Installation of In-Ceiling Back Box

The back box comes with flanges ready to be installed into either 16" (400mm) OC or 24" (610mm) OC studs, with a minimum of 8" (200mm) Stud Depth. The back box accepts ICI6, ICS3, and ICS7a in-ceiling speakers and includes a pre-installed wire grommet which can be sealed during installation.



- Back box must be installed during pre-construction
- Follow any local building codes as necessary, additional precautions may be necessary to meet building codes
- The grommet accepts from 1/32"(0.8mm) to 9/16" (1.4mm) diameter speaker wire.
- After the wire is inserted into the box, the grommet can be sealed with standard caulk, or firestop sealant as needed.

**NOTE:** To maintain the 1-hour fire rating of the box, where code requires this, seal all wire holes and mating joints with fire rated intumescent caulk such as 3M brand CP 25WB Plus Sealant or similar. Always check local codes for proper requirements.

### Preconstruction:

1. Using standard 16d framing nails or wood screws, nail box into joists using pre-drilled holes as guides.
2. Pass wire through the grommet and allow for excess wire for installation.
3. After installing it is recommended to seal all wiring with caulk or approved fire-rated sealant.
4. [Optional] Install the pre-construction bracket. If using a flush mount from Seeless, do not use both the Wisdom pre-construction bracket and the Seeless mount. Only one or the other can be used.

### After drywall is completed:

5. The drywall can be cut using standard routing tools, using the Wisdom pre-construction bracket as a guide, if installed.
6. Wire the Wisdom speaker to the wire already installed in the ceiling and check for proper fit. It may be necessary to check for any air leaks or rattles at this time. The in-ceiling speaker should make a tight fit to the drywall.
7. Stuffing the inside of the box with loose fiberglass can improve low frequency extension, but is not required.

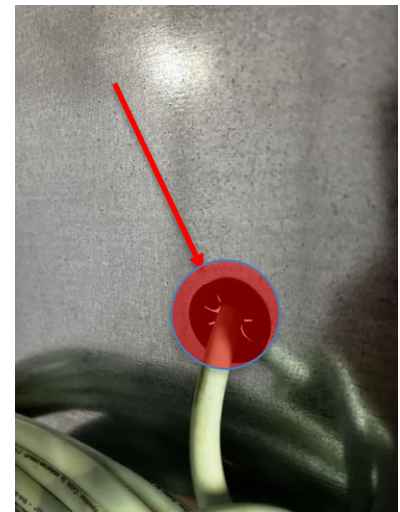
Insert wire through grommet into box:



Ensure there is enough excess wire:

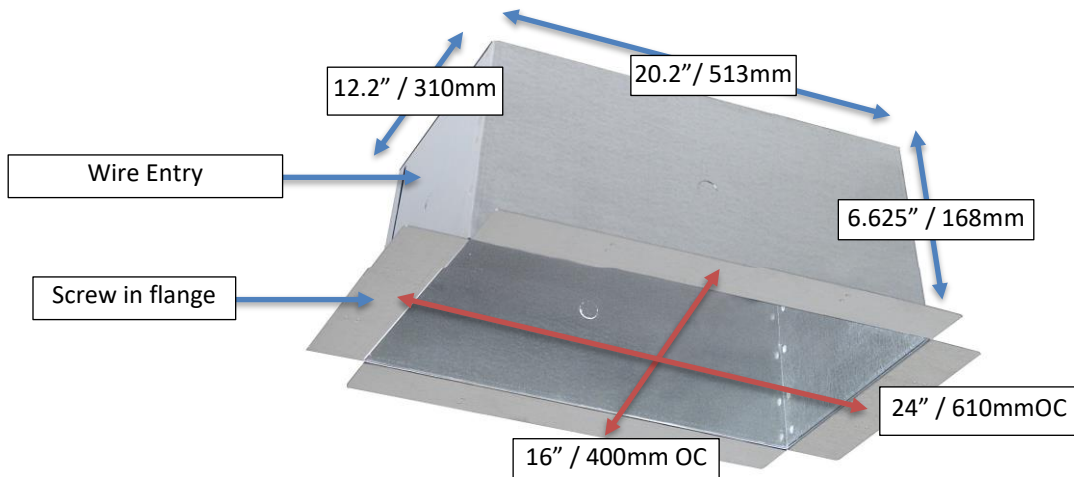
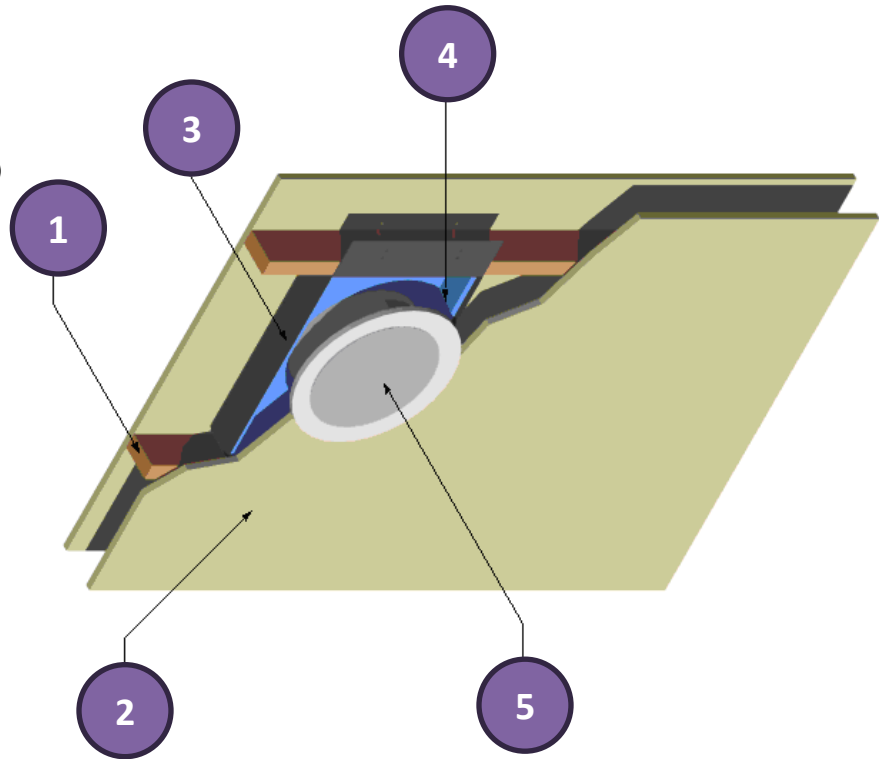


[Recommended]  
Seal with caulk or to fire-code



Wall Assembly and Parts:

1. Ceiling Joists
2. Drywall
3. Back Box
4. Optional Pre-Construction bracket (not shown)
5. Speaker



**Notes:**

Fire Resistance Rating – 1 hour; Intertek– Warnock Hersey Listing Number WH # 20182  
Tested to meet ASTM E119 & CAN/ULC S101 when used with proper firestop sealant  
3M Firestop: [https://www.3m.com/3M/en\\_US/p/d/b40065441/](https://www.3m.com/3M/en_US/p/d/b40065441/)