

# Sage Series

## ICS3FR

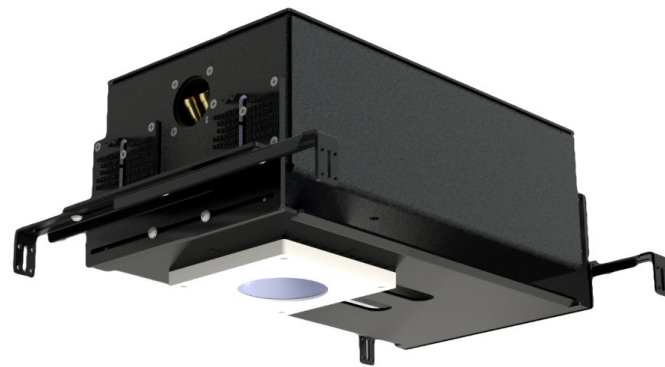
Minimal Appearance Loudspeaker



### Point Source Full Range In-Ceiling

The Minimal Appearance ICS3FR “Full Range” in-ceiling solution is designed to provide architecture-friendly, high-resolution playback while matching 3”- 4” recessed round and square lighting fixtures.

The ICS3FR delivers the most balanced and highest resolution sound reproduction in its class of minimally visible speakers. Its extended low frequency response eliminates the need for a subwoofer in most installations while the wide dispersion increases coverage area with fewer speakers.



The ICS3 Spiral Planar Magnetic Driver offers unmatched ultra-wide dispersion (120° Circular Coverage Angle -6dB) and can reproduce down to 40Hz (40Hz – 20kHz +/- 3dB; F10 is 30Hz -10dB where it stops making bass) using its 6.5” woofer. (Optional Bass: SUB1 Minimal Appearance Subwoofer is available if additional bass is required).

The ICS3FR requires no additional EQ or PEQ, only a high-pass crossover at 35Hz-40Hz.

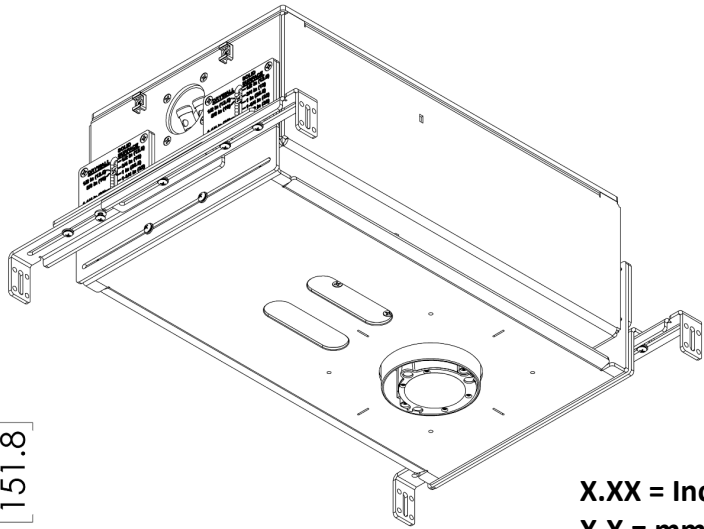
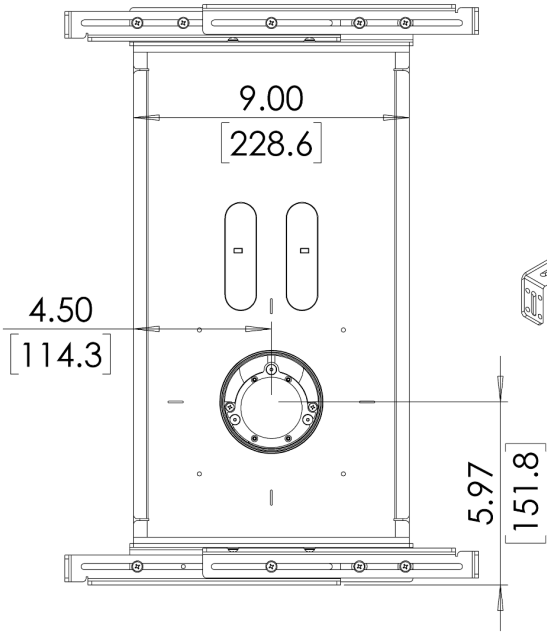
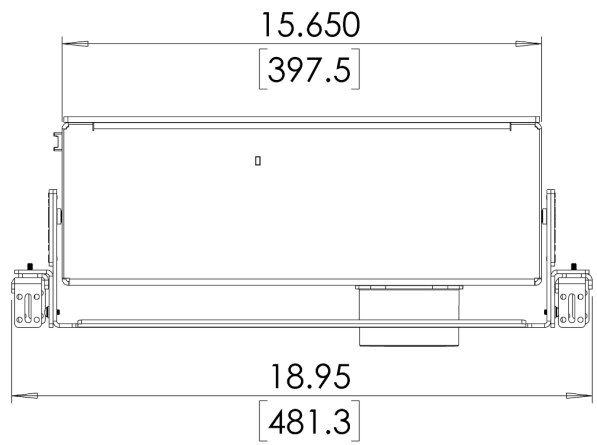
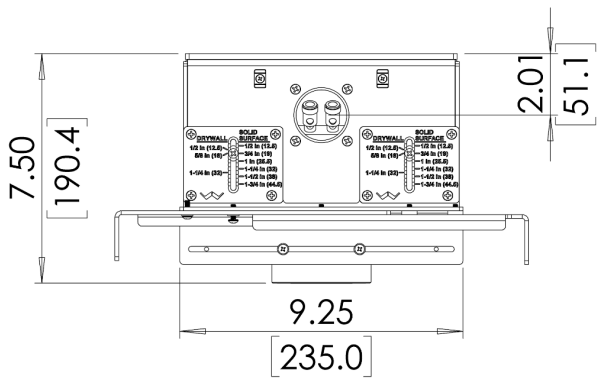
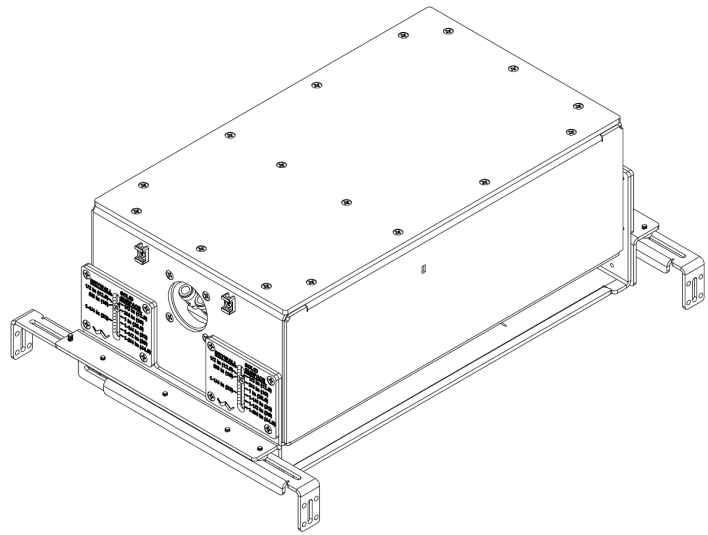
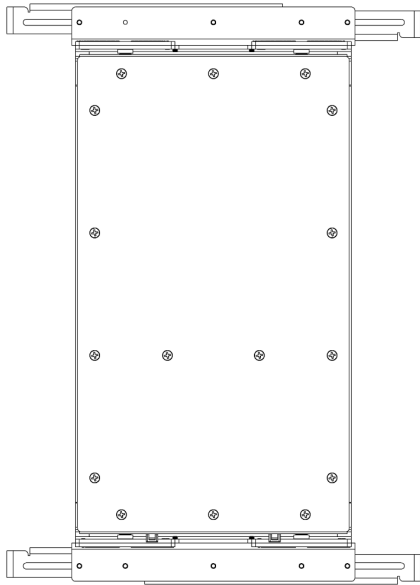
The ICS3FR ships with all that is needed to do 3” Round/Square, 4” Round/Square, and hard and or gypsum mount. Custom Options Available: Custom Colored Metal Grilles, and Custom Wood Grilles are both sold separately.

# Specifications

All specifications are subject to change at any time to improve the product.

Frequency Response	40Hz - 20kHz +/- 3dB
Low Frequency Extension	30Hz (-10dB)
Impedance	4 ohms
Sensitivity	83dB / 2.83V / 1m
Minimum Recommended Power	100 Watts
Maximum Recommended Power	375 Watts
Coverage Angle (-6dB)	120° Circular
Included Gypsum / Plaster Grilles	Round 3.04" [ 7.7cm ] Square 3.07" [ 7.8cm ] Round 3.97" [ 10cm ] Square 3.95" [ 10cm ]
Included Solid Surface Grilles	Round 3.26" [ 8.3cm ] Square 3.275" [ 8.3cm ] Round 3.94" [ 10cm ] Square 3.95" [ 10cm ]
Recommended High Pass Crossover For Optional Subwoofer	80Hz 24dB Linkwitz–Riley
Dimensions L x W	18.95" x 9.375" [48.1cm x 23.8cm]
Required Ceiling Installation Depth Behind Finished Surface (Designed for 2x8 Stud Depth)	Maximum: 7.15" [182mm] with 0.5" [12.5mm] Solid Surface Minimum: 5.75" [146mm] with 2" [50mm] Solid Surface Typical: 6.875" [174.63mm] when used with 5/8 [16mm] Drywall
Installation Width Inside Ceiling Support Joists	14.5" [368mm] Nominal - 16" OC Joist 23" [584mm] MAX - 24" OC Joist 9.375" [238mm] MINIMUM - 12" OC Joist
Gypsum / Mud-in Finished Surface Thickness	1/2" and 5/8" [12.5mm and 15.75mm] standard as shipped;
Solid Surface Finished Surface Thickness	1/2" Minimum to 2" Maximum [12.5mm - 50mm] 1/8" [3.25mm] increments
Minimum Grille Distance from Wall	4.55" [116mm] OC to Long Edge 6.00" [152mm] OC to Short Side
Weight	17lbs [7.7kg]

# Dimension



**X.XX = Inches**  
**X.X = mm**