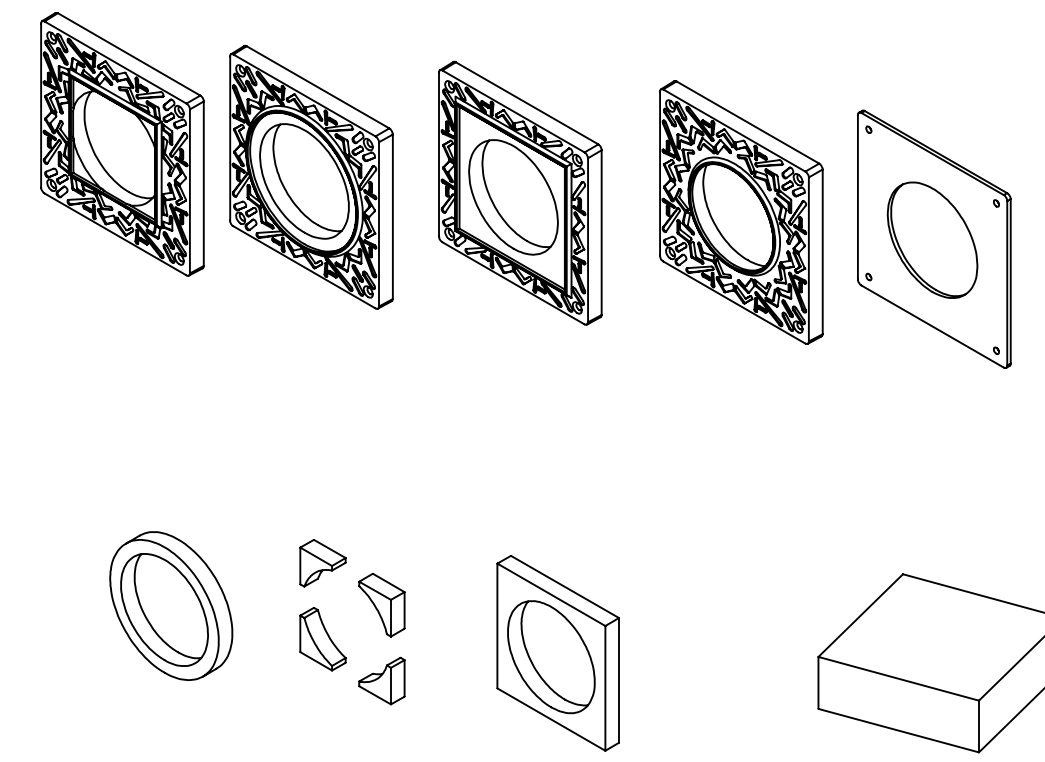


REVISIONS				
ZONE	REV.	DESCRIPTION	DATE	APPROVED

Included Accessories

- Gypsum/Plaster Mud Plates
  - 3inch [76mm] Round preinstalled on ISC3FR
  - 0.125" [3.175mm] Mud Plate Spacer preinstalled on ISC3FR
- Solid Surface Acoustic Foam Spacers
- Grille Pack (8x Grilles)
  - 3inch [76mm] Round Mud Grille
  - 3inch [76mm] Round Solid Surface Grille
  - 3inch [76mm] Square Mud Grille
  - 3inch [76mm] Square Solid Surface Grille
  - 4inch [101.5mm] Round Mud Grille
  - 3inch [101.5mm] Round Solid Surface Grille
  - 3inch [101.5mm] Square Mud Grille
  - 3inch [101.5mm] Square Solid Surface Grille



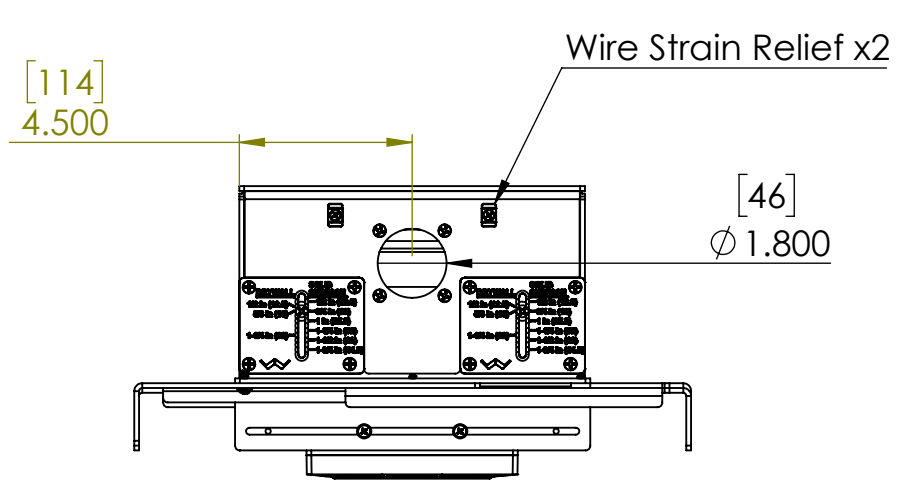
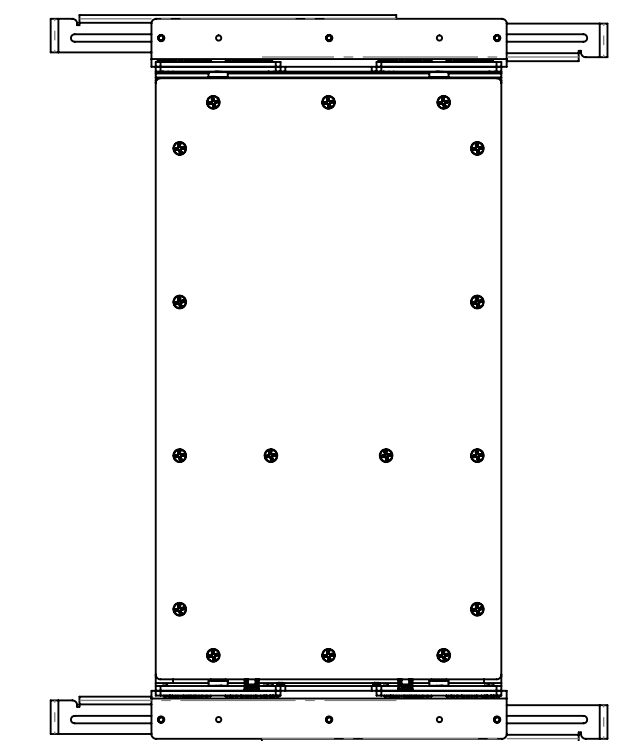
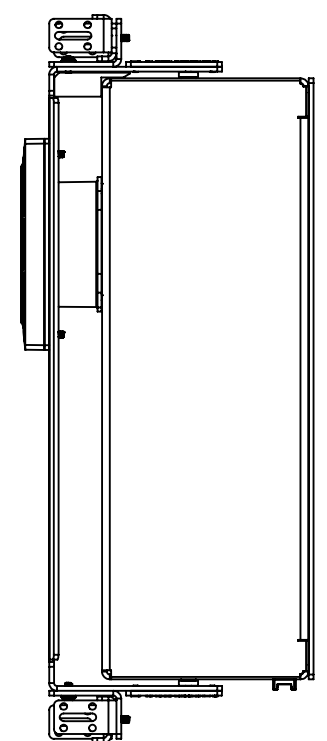
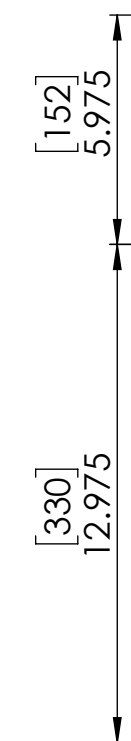
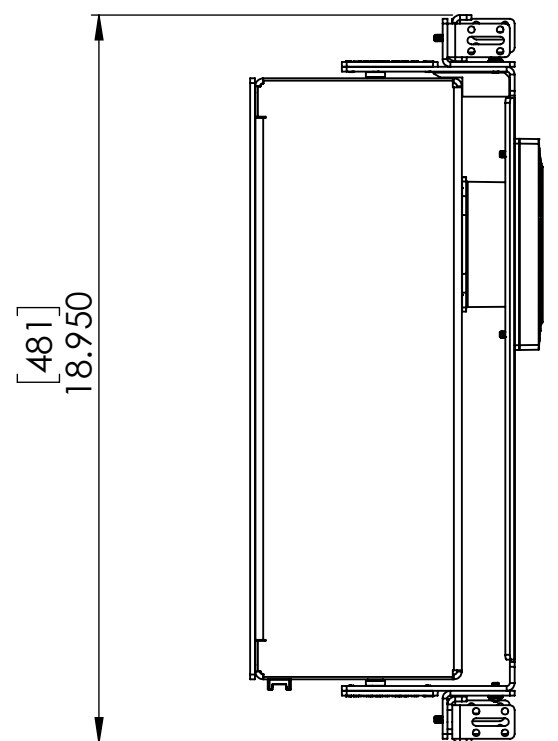
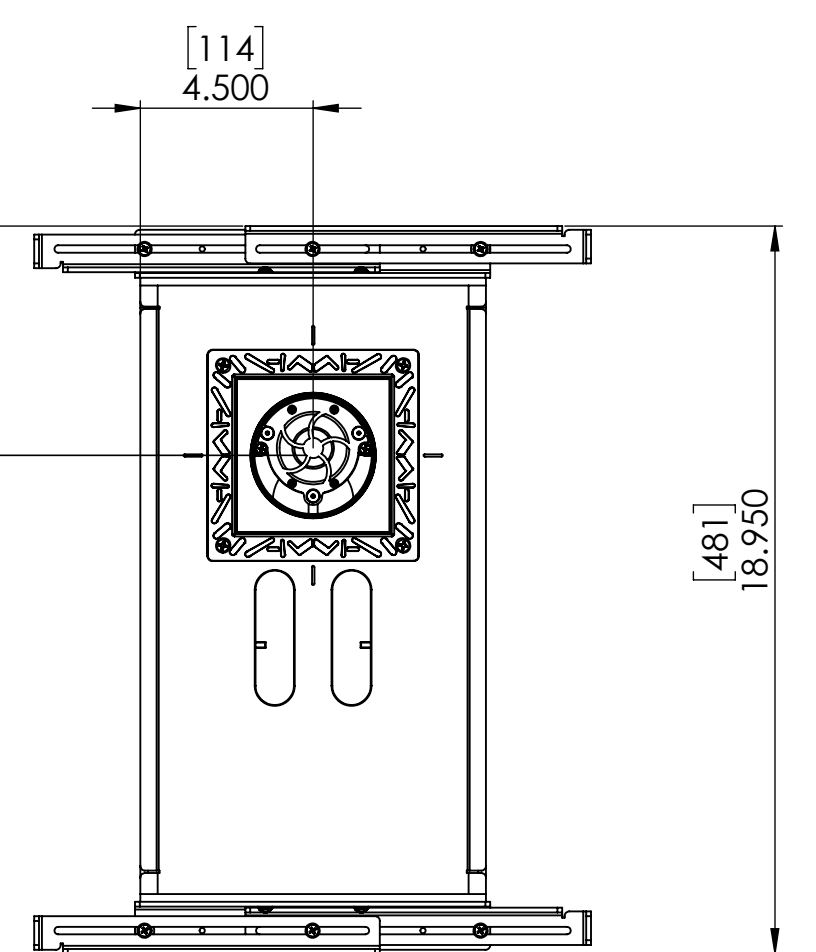
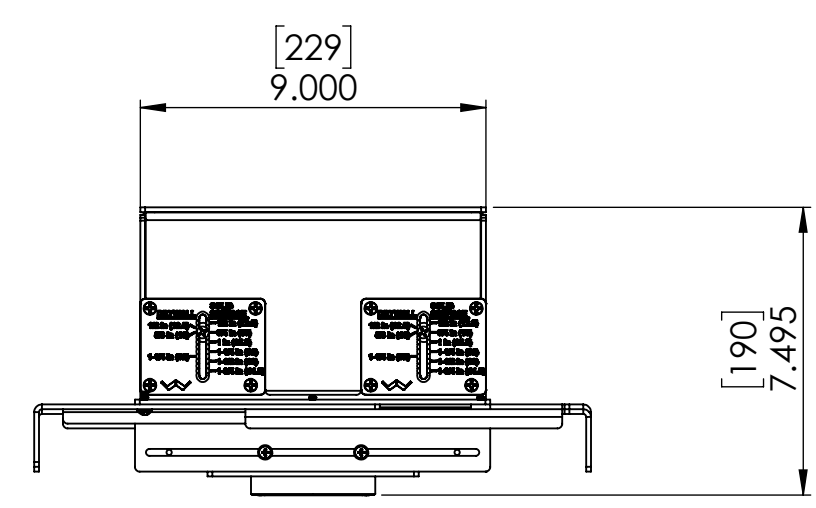
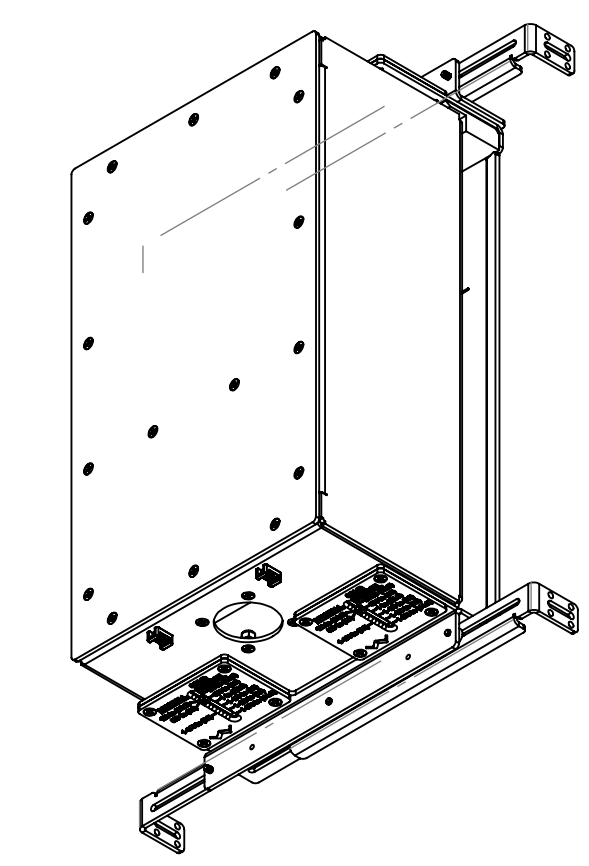
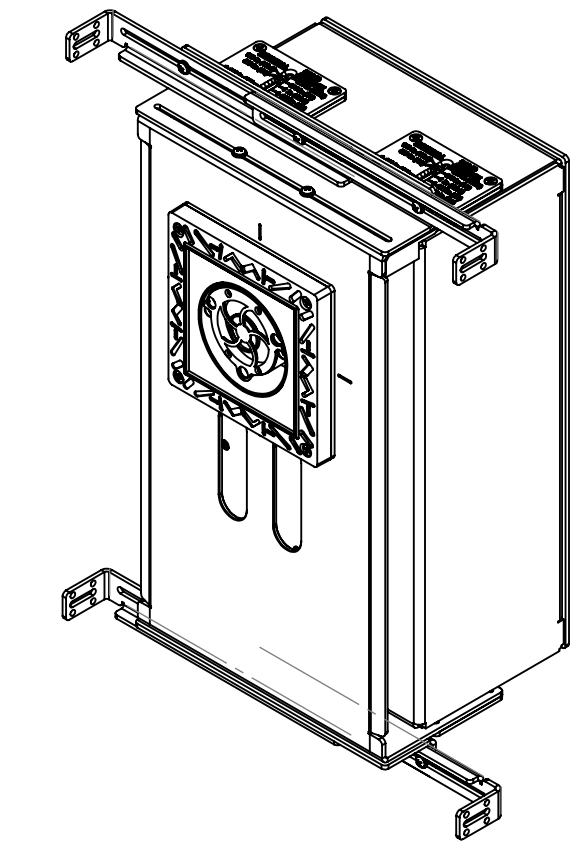
Required Ceiling Installation Depth Behind (Not Including) Finished Surface

- Designed for 2x8 Stud Depth
- Typical: 6.875" [174.63mm] when used with 5/8 [16mm] Drywall
- Maximum: 7.15" [182mm] with 0.5" [12.5mm] Solid Surface
- Minimum: 5.75" [146mm] with 2" [50mm] Solid Surface

Installation Width Inside Ceiling Support Joists

- Typical: 14.5" [368mm] Nominal – 16" OC Joist
- Maximum: 23" [584mm] (24" OC Joist)
- Minimum: 9.375" [238mm] (12" OC Joist)

Weight 17lbs [7.7kg]



1.  
NOTES: (UNLESS OTHERWISE SPECIFIED)  
All dimensions in Inches and [mm]

THIRD ANGLE PROJECTION 	(UNLESS OTHERWISE SPECIFIED) DIMENSIONS IN INCHES TOLERANCES: DECIMALS    ANGLES .X : +/- 0.050    X : +/- 1.0° .XX : +/- 0.020    XX : +/- 0.5° .XXX : +/- 0.010    XXX : +/- 0.05° ALL Ø'S FOR PEM HARDWARE +.003    -.000	DRAWN: S. LOESCH	DATE: 6/25/2025	<b>Wisdom Audio</b> 1572 College Parkway, Suite 164 Carson City, Nevada 89706	
		ENGR: APPROVED:	REVISION DATE:		
CAD GENERATED DRAWING - DO NOT MANUALLY UPDATE		DO NOT SCALE DRAWING		MATERIAL: FINISH:	SIZE: <b>D</b>
Copyright 2006 WISDOM AUDIO. THIS IS CONFIDENTIAL AND PROPRIETARY INFORMATION THAT BELONGS TO WISDOM AUDIO. IT MAY NOT BE USED OR REPRODUCED IN ANY MEDIA OR DISCLOSED WITHOUT THE PRIOR WRITTEN CONSENT OF OWNER.		SCALE: 1:5	DWG NUMBER: 1	REV: <b>X5</b>	SHEET: 1 OF 1